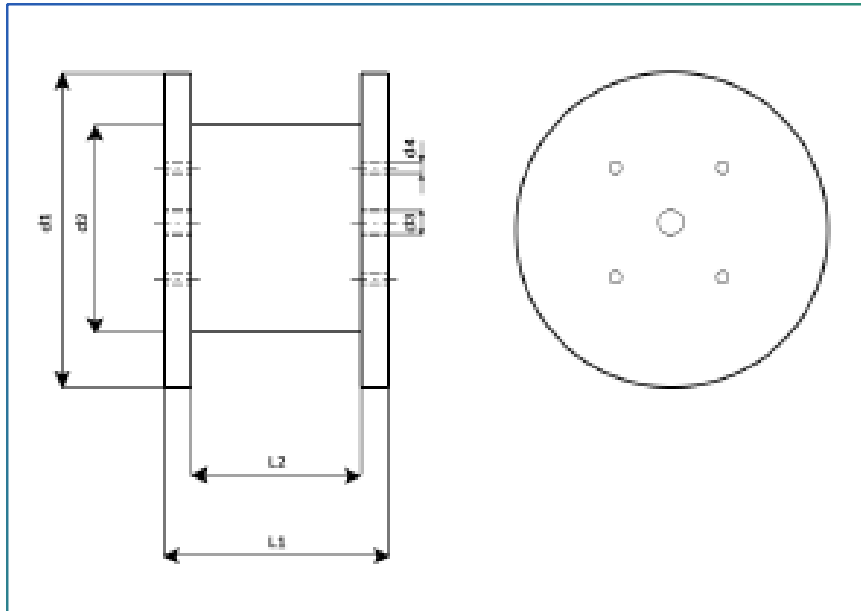




PACKAGING

## Technical information: PACKAGING



To return reels, send an email to [amministrazione@specialcavi.it](mailto:amministrazione@specialcavi.it) and wait for authorization to proceed.

Returns must be sent carriage paid to our warehouse in Capannori (LU) and must be accompanied by a return delivery note containing all the references of the **delivery note(s)**.

- Reels returned in poor condition or with defects that prevent their reuse will not be credited and will remain at the customer's disposal; the costs of any scrapping of defective returned reels will be borne by the customer.
- Returned reels will be credited taking into account any depreciation, as stated in our general terms and conditions of sale.

## Technical information: PACKAGING

Table of dimensions, weight and capacity for the different types of packaging.

PACKAGING											
TYPE	d1	d2	d3	d4	e1	e2	L1	L2	Empty weight [Kg]	Useful volume [dm <sup>3</sup> ]	Maximum flow rate [Kg]
350 C	350	160	82	30	-	-	316	300	2	23	-
400 C	400	160	82	30	-	-	316	300	2,2	32	-
500 C	500	160	82	30	-	-	316	300	3,2	53	-
600 C	600	160	82	30	-	-	324	300	4,4	79	-
600 L	630	315	82	50	250	100	403	335	17	96	250
700 L	710	355	82	50	250	100	488	420	22	125	400
800 L	800	400	82	50	250	100	538	470	28	177	600
1000 L	1000	500	82	50	250	160	668	580	54	342	1300
1200 L	1250	630	82	65	250	160	728	630	100	577	1700
1400 L	1400	710	82	65	250	250	858	750	145	858	2500
1600 L	1600	900	82	65	250	250	1028	900	225	1237	3300
1800 L	1800	1120	82	65	250	400	1288	1140	345	1778	4500
2000 L	2000	1250	128	65	250	400	1288	1140	420	2182	5000
2220 L	2240	1400	128	65	400	400	1288	1140	520	2738	5600